

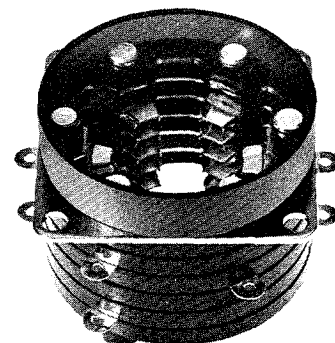


## TECHNICAL DATA

# SK-760 SK-770

### AIR-SYSTEM SOCKETS

The EIMAC SK-760 and SK-770 Air-System Sockets are recommended for use with those tubes listed at the bottom of the page or other tube types having this special breech-block base. These sockets incorporate a built-in integral chimney. When these sockets are used, connection is made to each of the tube electrodes except the anode. The screen contacts on the SK-760 are not connected to the metal mounting plate, while the screen contacts on the SK-770 are connected to the metal mounting plate. The SK-760 has no grounded contacts.



### BASE CONNECTIONS

The SK-760 and SK-770 Air-System Sockets consist of five sets of ring contacts. They are (from top to bottom): 1)-screen-grid, 2)-control-grid, 3)-cathode, 4)-heater, 5)-heater. Each set of contacts consist of six separate contact tabs. The tube elements are connected to their external circuits by two diametrically opposed solder terminals.

### MATERIALS AND FINISHES

The mounting plates of these sockets are fabricated of nickel-plated brass. Contact rings and tabs are made of beryllium copper, heat-treated after forming, then silver-plated. The rivets and washers are of brass, silver and nickel-plated respectively. The ten contact terminals are solder-dipped to insure firm, dependable solder contact. The insulating wafers and the stop yoke of the sockets are molded of a flameproof diallyl meta-phthalate.

### INSTALLATION

The SK-760 and SK-770 Air-System Sockets were designed for under-chassis mounting and require a 1.593 inches diameter hole through the chassis deck. Four screw holes are provided for fastening as shown on the outline drawing.

**THE SK-760 AND SK-770 AIR-SYSTEM SOCKETS ARE RECOMMENDED FOR USE WITH THE FOLLOWING TUBE TYPES:**

4CN15A

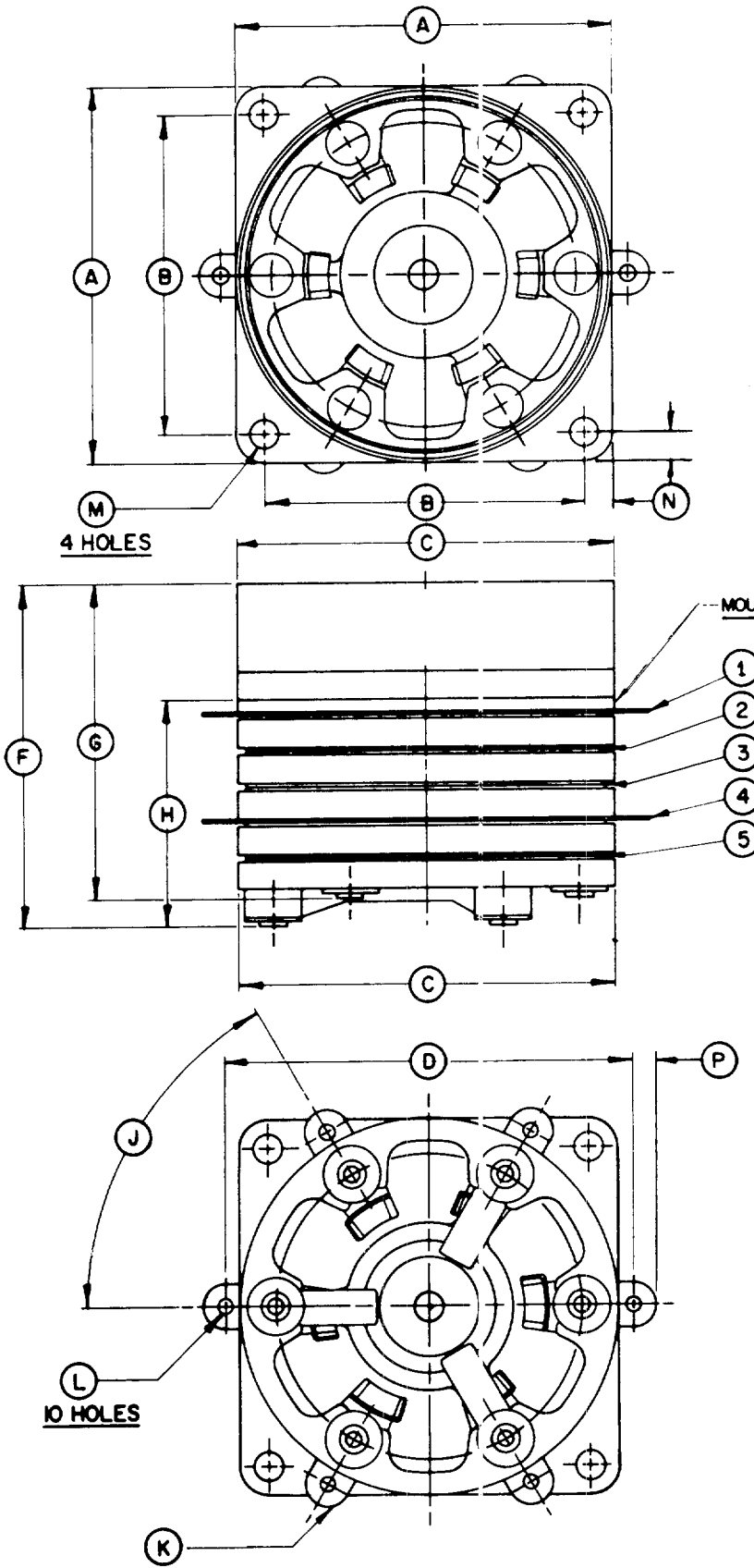
4CX300A/8167

4CX300Y/8561

NET WEIGHT (Approximate) . . . . . 1.5 oz; (42.5 gm)



SK-760, SK-770



DIM.	INCHES			MILLIMETERS		
	MIN.	MAX.	REF.	MIN.	MAX.	REF.
A	1.615	1.635	--	41.00	41.40	--
B	1.360	1.390	--	34.57	35.25	--
C	1.615 D.	1.635 D.	--	41.00 D.	41.40 D.	--
D	1.735	1.765	--	43.90	44.83	--
F	1.330	1.370	--	33.75	34.80	--
G	1.205	1.245	--	30.60	31.66	--
H SK760	1.020	1.060	--	25.91	26.92	--
H SK770	.931	.971	--	23.70	24.70	--
J	--	--	60°	--	--	60°
K	--	--	3/32 R.	--	--	2.38 R.
L	--	--	1/16 D.	--	--	1.59 D.
M	.134 D.	.154 D.	--	3.40 D.	3.92 D.	--
N	.120	.130	--	3.05	3.30	--
P	.078	.109	--	1.98	2.77	--

NOTES:  
REF DIMENSIONS ARE FOR INFO.  
ONLY B ARE NOT REQUIRED FOR  
INSPECTION PURPOSES.

**CONNECTIONS**

1. SCREEN GRID
2. CONTROL GRID
3. CATHODE
4. HEATER
5. HEATER